

## TOTAL SECURITY

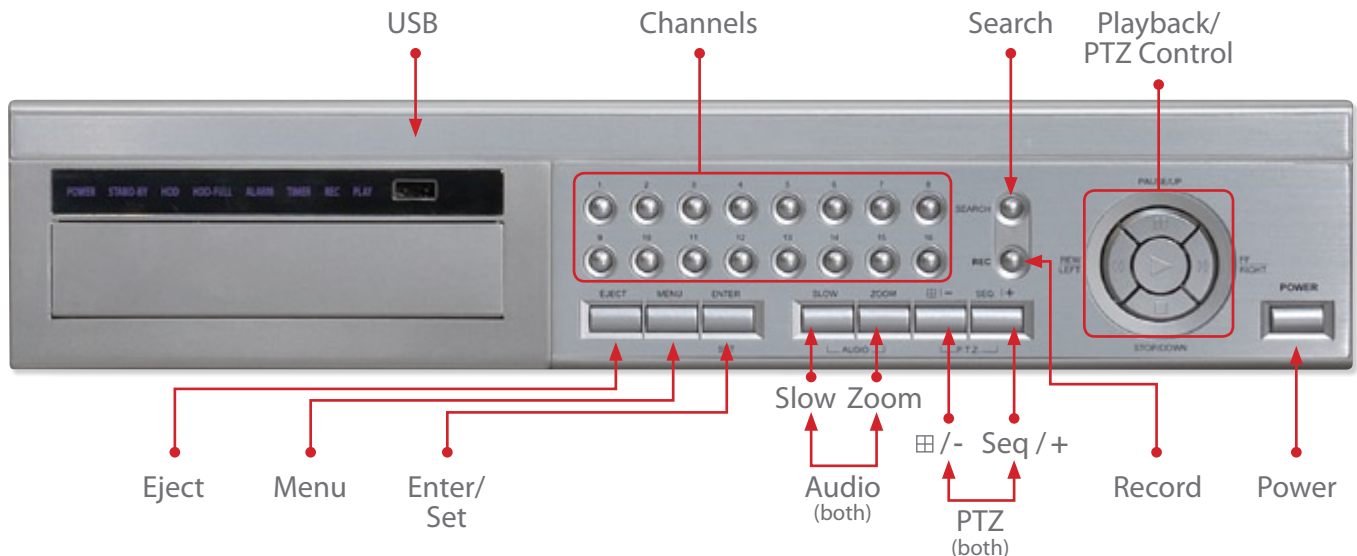
The RT8/16DVD series of DVR's are perfect for applications requiring Real-Time recording. These DVR's record at 30FPS per channel for smooth video playback and use MPEG-4 compression for efficient, high quality storage. Both models let you view, playback and record simultaneously. The included network feature allows you to view cameras from any internet connection using IE browser or included software. Built-in adjustable motion saves hard disk space by recording only when motion is detected and the included USB and DVD-R/W make archiving fast and easy. The ARM RT8/RT16DVD series is feature packed with:

- Up to 480 FPS Real-Time Recording
- Up to 2.25 TB Storage
- Triplex Operation
- Networkable (IE Browser or Software)
- MPEG-4 Compression
- DVD-R/W and USB Archive

## Capture Video As It Happens In Real-Time



Monitor shown is ARM LCD1920HG  
with RT16DVD Remote Software.  
Monitor not included.



### HIGH PERFORMANCE

#### Triplex Operation

View, record, playback and remotely monitor all at the same time.

#### Up to 480 FPS Recording

Record up to 480 FPS simultaneously across 16 channels for high quality Real-Time video.

#### MPEG-4 Compression

Tight compression format gives you the ability to maximize the number of days you can store video.

#### Up to 2.25TB Storage

Three internal hard drive bays for long-term storage capability.

#### Motion Detection

Maximize your storage by only recording video when motion is detected.

### CONVENIENCE

#### Easy Archiving

Quickly offload archived video via USB 2.0 or DVD-R/W.

#### Multiple Backup File Format

Included backup player allows you to choose between proprietary or common AVI backup formats when creating DVD backups.

#### Built-in PTZ Control

Effortlessly control PTZ cameras without the need for external controllers.

#### Multiple Recording Modes

Set your DVR to record manually, by timer, motion, alarm or even remotely.

#### IR Remote Control

Control all DVR functions using the included IR remote control.

### TOTAL SECURITY

#### Advanced Protection

Multiple passwords support various levels of user access.

#### Image Authentication

Recorded video contains watermarks and is therefore un-alterable.

#### Linux-Based OS

Embedded operating system is virtually immune to common PC based viruses.

#### Alarming

Integrated alarming inputs for external devices including door-locks, sirens, PIR detectors, etc.

#### Covert Recording

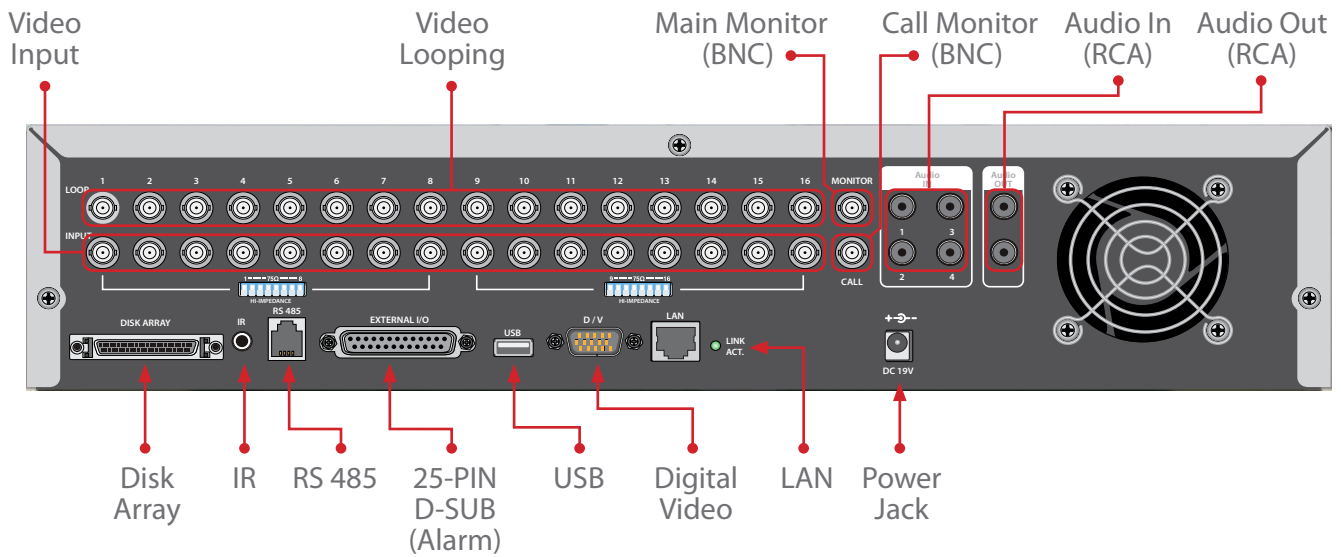
Mask a live view image on the monitor with a blank screen and still be recording video.



HD Size	8 Channel 240FPS	16 Channel 480FPS
500GB	RT8500DVD	***
750GB	RT8750DVD	RT16750DVD
1.0TB	RT81000DVD	RT161000DVD
1.5TB	RT81500DVD	RT161500DVD
2.25TB	RT82250DVD	RT162250DVD

\*\*\* Recommended minimum storage capacity is approx. twice the FPS recording rate.

## REAR PANEL DEFINITIONS



## INCLUDED ACCESSORIES

- All Units Include:
- (1) Power Supply
  - (1) Power Cord
  - (1) Software CD
  - (1) Blank Disc
  - (1) Remote Control
  - (2) AAA Batteries
  - (1) IR Line Extender
  - (1) User Manual
  - (1) Quick Set-up Guide
  - (1) D-Sub PIN Connector



## RECOMMENDED ACCESSORIES



**CBL3BNC**  
3' BNC Cable  
Also Available in  
6', 25', 50' and 100'



**VCCORD**  
1000' Twisted Pair  
Video Balun with  
15" BNC Cable



**CSP1**  
5AMP Max Current  
Coaxial Surge  
Protector



**LCD1920HG**  
19" LCD Monitor  
Also Available  
in 15" and 17"

## TECHNICAL SPECIFICATIONS

	SPECIFICATIONS	8 CHANNEL / 16 CHANNEL
VIDEO	Operating System	Embedded (Linux)
	Video Standard	NTSC
	Video Operation	Triplex, (Live, Record, Playback, Remote Internet Access)
	Resolution-Live Video	NTSC 720x480
	Video Input	BNC x 8/16 Channel, 1.0Vp-p / 75ohm
	Video Output	Main Monitor BNC x 1, 1.0Vp-p / 75ohm
		Call Monitor BNC x 1, 1.0Vp-p / 75ohm Dwell Time (2, 4, 8, 16 sec.)
		Loop BNC x 8/16 Channel, 1.0Vp-p / 75ohm
	VGA Output	n/a
	Picture Refresh Rate	Real-Time for All Channels
	Display Mode	8CH (1, 4, 8, 9) / 16 CH (1, 4, 8, 9, 16)
	Digital Zoom	Live View
Camera Installation	Plug and Play	
AUDIO	Input	RCA x 4, Line-In
	Output	RCA x 2, Line-Out
	Recording Mode	Real-Time Recording
	Data Rate	120kb/sec
	Operation	Remote
	Playback	Only for Playback Video at Original Speed
RECORDING	Compression Method	MPEG-4: Recording and Playback / MJPEG: Transmission Via Network
	Recording Mode	Manual / Timer / Motion / Alarm / Remote
	Pre-Alarm Recording	Yes (8MB)
	Resolution/Frame Rate	D-1 - 720 x 480 8CH, 60 FPS / 16CH, 120 FPS
		CIF - 352 x 240 8CH, 240 FPS / 16CH, 480 FPS
	Compression Method	4 Levels (Best, High, Normal, Basic)
	Image Size	12-26KB/second 352x240
Storage Mode	Linear / Circular	
PLAYBACK	Playback	Play, Stop, Pause, Rewind, Fast Forward, Search
	Playback Speed Adjust	4x, 8x, 32x (Fast Forward or Rewind)
	Retrieve	Full List, Event List, Motion List, Time/Day List, Alarm List
STORAGE	Built-in Storage	DVD-R/W
	Built-in Hard Drive	Up to 3 Internal Drives
	Export	IE Explorer, Remote Software, DVD-R/W x (1), USB 2.0 x (2)
ALARM	Alarm Input	8/16 Channel
	Alarm Detection	N.O./N.C. 1 Output
	Auditory Alert	Built-in Buzzer
	Motion Detection	16 x 12 Grid/Camera for All Channels
	Video Loss Detection	Built-in Buzzer
	Alarm Relay Output	25-PIN D-SUB (External Alarm, PTZ Camera, etc)
COMMUNICATION	Network Connectivity	10/100 Base-T Support Remote Control and Live View via Ethernet
	Remote Control Software	Included
	Access Control	Multiple Level Password Protection
	Remote Operation	Monitor, Playback, Recording, System Set-up, PTZ Control, Archive
	RS232C	Alarm In/Out 25-PIN DSUB
	RS485	Jack Style (PTZ Control)
	Dome Control Protocol	Pelco D
GENERAL	Unit Dimension (WxHxD)	17" (W) x 3.5" (H) x 13" (D)
	Unit Weight	15lbs
	Package Dimension (WxHxD)	21" (W) x 8.25" (H) x 16.5" (D)
	Package Weight	17lbs
	Operating Temperature	50°F - 104°F
	Relative Humidity	Less than 90%
	Power Consumption & Input	19VDC < 64W